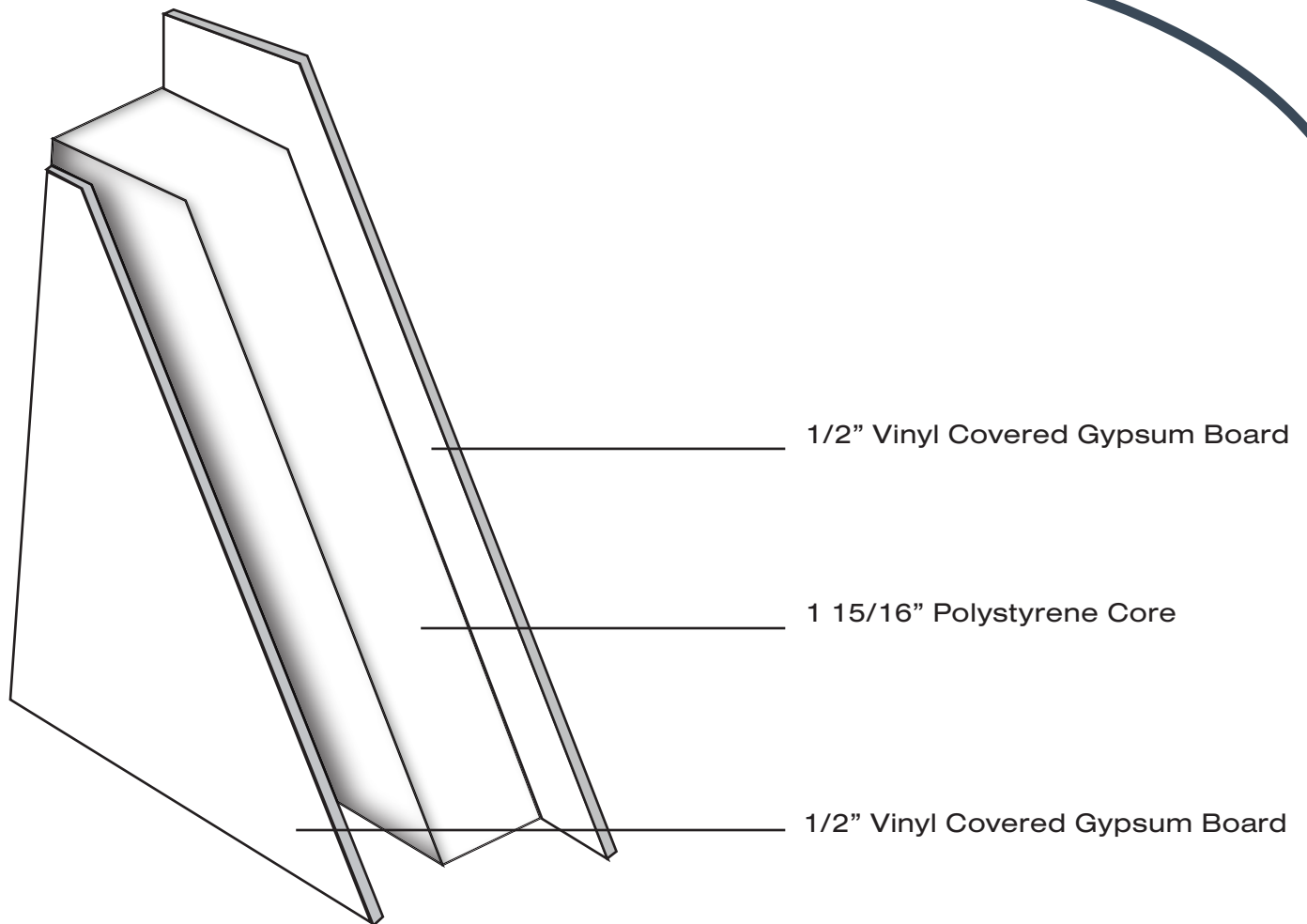


# G/G Panels



STC Rating: 35



800-636-3873  
info@PanelBuilt.com

[www.panelbuilt.com](http://www.panelbuilt.com)

The walls shall be 3" thick composite sandwich panels. The exterior and interior facing shall be 1/2" Vinyl Covered Gypsum Board. The core shall be 1 15/16" of one pound density polystyrene laminated using a structural adhesive. Every 4' will have an aluminum extruded binder post with snap cover to house all the electrical components. All binder posts will be painted to match the wall covering. Density is 1 lb per cubic feet.